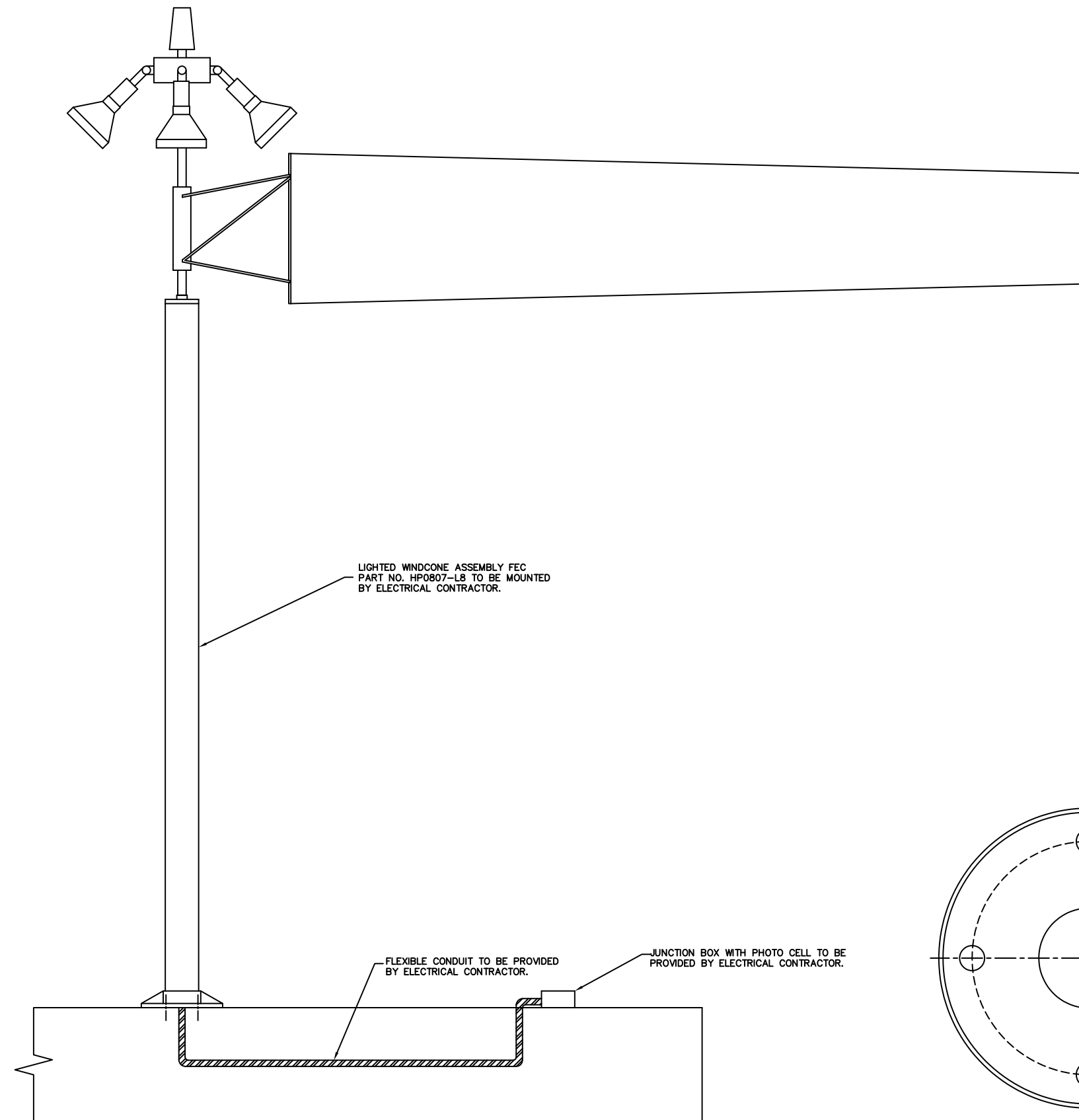


THIS DOCUMENT IS THE PROPERTY OF FEC HELIPORTS, A DIVISION OF FEDERAL EQUIPMENT COMPANY, CINCINNATI OHIO. INFORMATION CONTAINED ON THIS DOCUMENT SHALL NOT BE DISCLOSED TO OTHERS, USED FOR MANUFACTURING, OR REPRODUCED FOR ANY REASON WITHOUT THE EXPRESSED WRITTEN PERMISSION OF FEC HELIPORTS, A DIVISION OF FEDERAL EQUIPMENT COMPANY.

REVISION BLOCKS

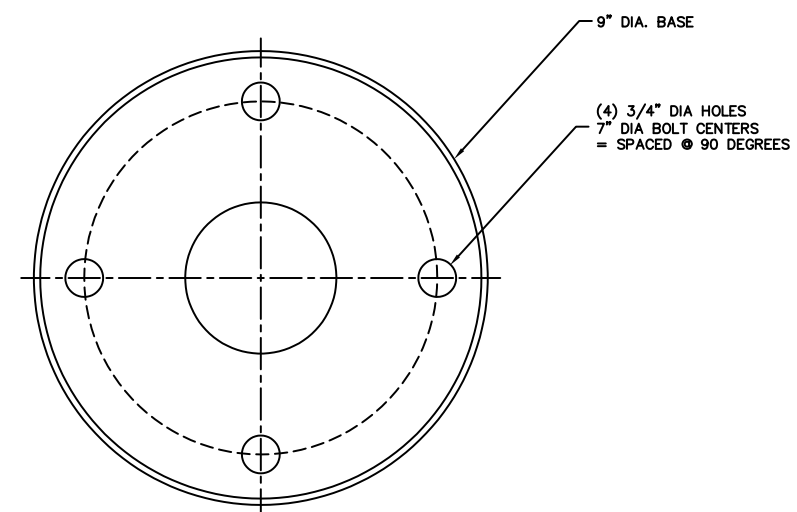
REVISION:	DATE:	DESCRIPTION OF RESIVIONS & ADDITIONAL NOTES:	REVISED BY:
*	**/**/**	*	***

- NOTES:
 1) (3) 16 GUAGE WIRES
 (1) BLACK
 (1) WHITE
 (1) GROUND
 2) 269 W, 120 V, 1ø



MOUNTING SURFACE CAN BE STEEL, CONCRETE, CONCRETE PAVER BLOCK, OR OTHERS

BASE BOLTING PATTERN:



ITEM	QTY	DESCRIPTION	MATERIAL	PART NO.
6	4	OUTER LAMP GASKET, RUBBER	*	HP0807-11
5	4	50W FLOODLIGHT	*	HP0807-10
4	1	OBSTRUCTION LIGHT, RED	*	HP0182P
3	1	WINDSOCK, ORANGE W/ TIES	*	HP0192
2	1	LIGHTING BONNET ASSEMBLY	*	HP0166
1	1	WINDSOCK FRAME ASSEMBLY	*	HP0243

PARTS LIST



A Division of
 Federal Equipment Company.
 707 Carr St.
 Cincinnati, Ohio 45203
 (513) 621-5260
 (513) 621-0524 Fax
 www.FECHeliports.com

MOUNTING DRAWING FOR
 LIGHTED WINDCONE ASSEMBLY
 FEC PART NO. HP0807

DRAWN BY JDB	CHECKED BY: TS	APPROVED BY: ***
DATE: 12/21/05	DWG SIZE: B	REV LTR: -
SCALE: 1" = 1"	HP0807-M	