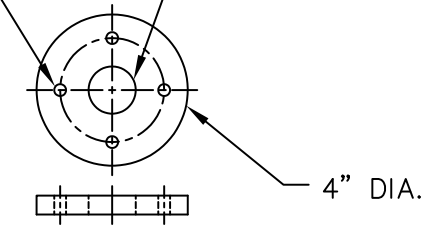


THIS DOCUMENT IS THE PROPERTY OF FEC HELIPOINTS, A DIVISION OF FEDERAL EQUIPMENT COMPANY, CINCINNATI OHIO. INFORMATION CONTAINED ON THIS DOCUMENT SHALL NOT BE DISCLOSED TO OTHERS, USED FOR MANUFACTURING, OR REPRODUCED FOR ANY REASON WITHOUT THE EXPRESSED WRITTEN PERMISSION OF FEC HELIPOINTS, A DIVISION OF FEDERAL EQUIPMENT COMPANY.

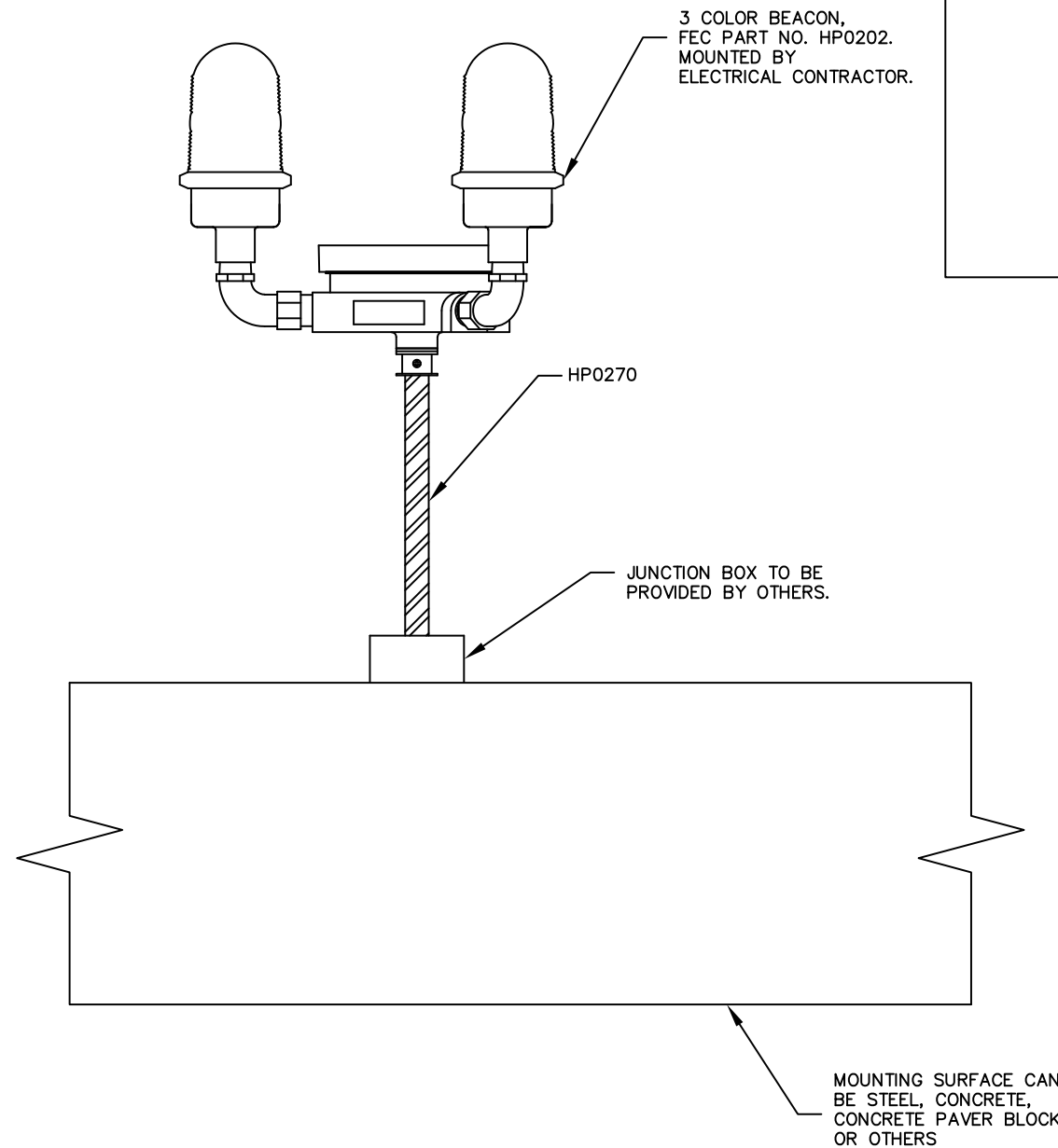
REVISION BLOCKS

REVISION:	DATE:	DESCRIPTION OF RESIVIONS & ADDITIONAL NOTES:	REVISED BY:
*	**/**/**	*	***

(4) .3125 DIA. HOLES  
 @ 90° APART ON A 2 3/4" DIA. BOLT CIRCLE



POLE BASE ASSEMBLY FEC PART NO. HP0270 INCLUDES  
 1) FLANGE BASE, 1", 5 HOLE, BLACK PRIMER(SHOWN)  
 2) CONDUIT, 1" THINWALL, GALVANIZED  
 3) COUPLING, 1" W/NUT



3 COLOR BEACON,  
 FEC PART NO. HP0202.  
 MOUNTED BY  
 ELECTRICAL CONTRACTOR.

HP0270

JUNCTION BOX TO BE  
 PROVIDED BY OTHERS.

MOUNTING SURFACE CAN  
 BE STEEL, CONCRETE,  
 CONCRETE PAVER BLOCK,  
 OR OTHERS

NOTES:

- 1) (3) 16 GAUGE WIRES  
 (1) BLACK  
 (1) WHITE  
 (1) GROUND
- 2) 1" NPT
- 3) 1500 W, 120 V, 1Ø

7	1	LENS, WHITE		HP0289
6	1	LENS, AMBER		HP0112
5	1	LENS, BLUE		HP0267
4	3	LAMP		HP0203-3
3	3	SQUEEZE CLAMP		HP0108
2	3	GASKET		HP0114
1	1	GASKET		HP0307
ITEM	QTY	DESCRIPTION	MATERIAL	PART NO.

PARTS LIST



A Division of  
 Federal Equipment Company.  
 707 Carr St.  
 Cincinnati, Ohio 45203  
 (513) 621-5260  
 (513) 621-0524 Fax  
 www.FECHeliports.com

MOUNTING DETAIL FOR  
 THREE COLOR BEACON  
 FEC PART NO. HP0202

DRAWN BY JDB	CHECKED BY: TS	APPROVED BY: ***
DATE: 12/21/05	DWG SIZE: B	REV LTR: —
SCALE: 1" = 1"	HP0202-M	